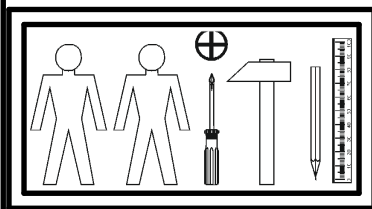
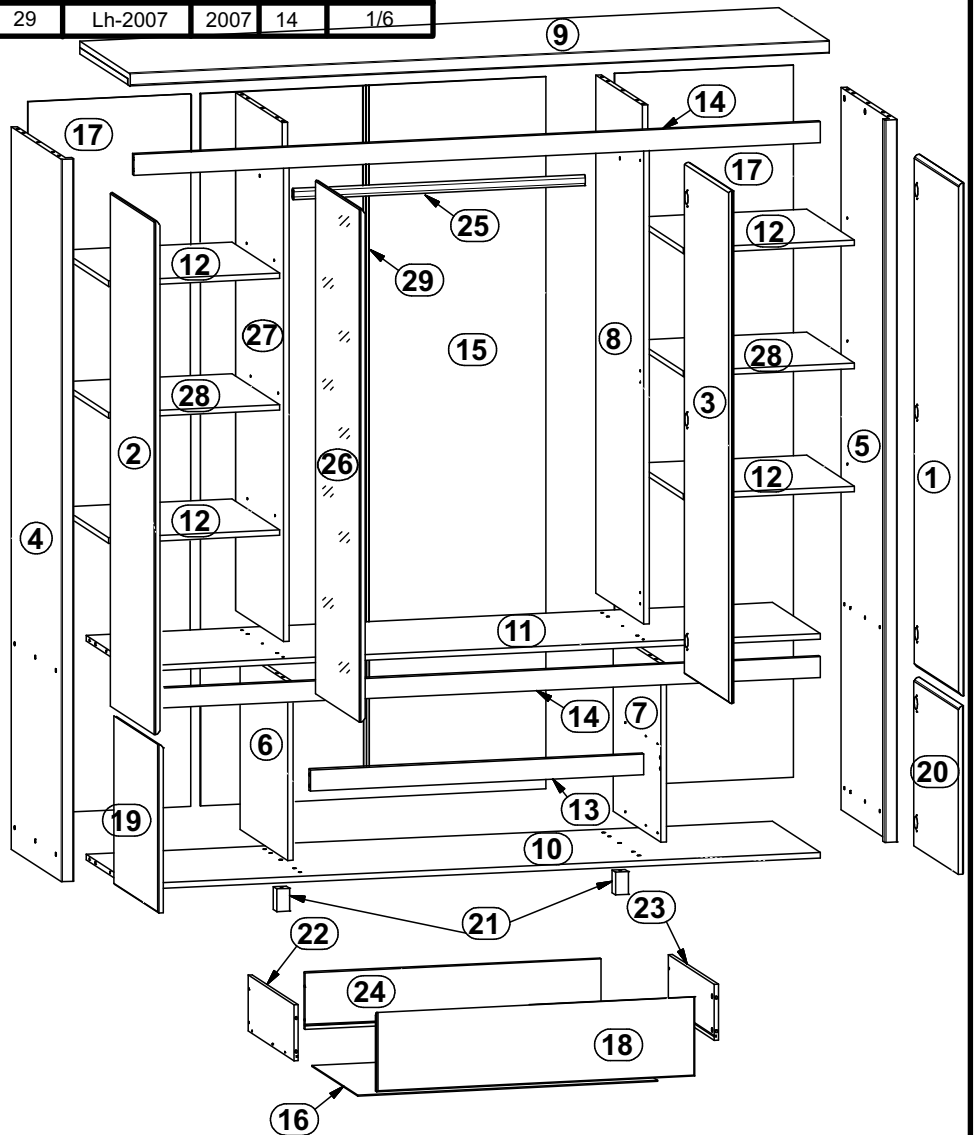
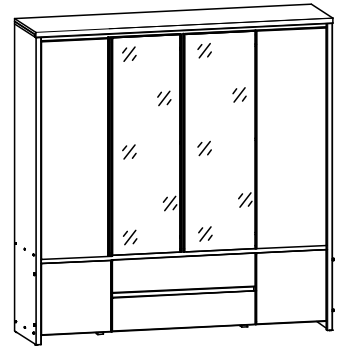


KASPIAN 2

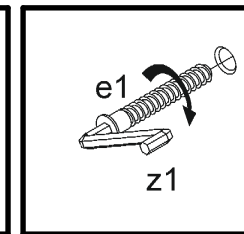
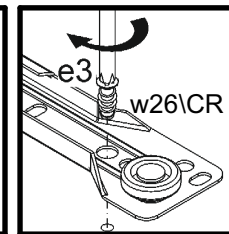
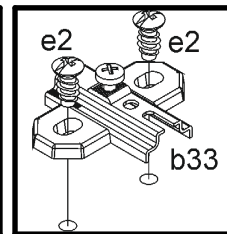
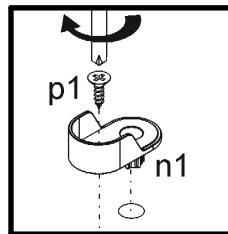
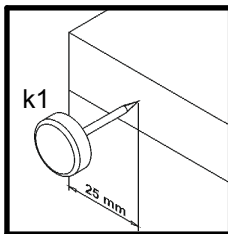
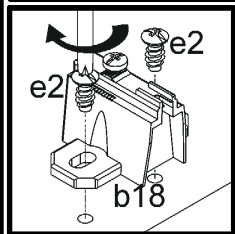
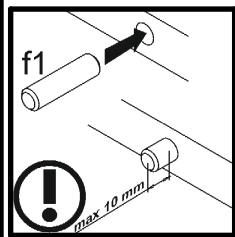
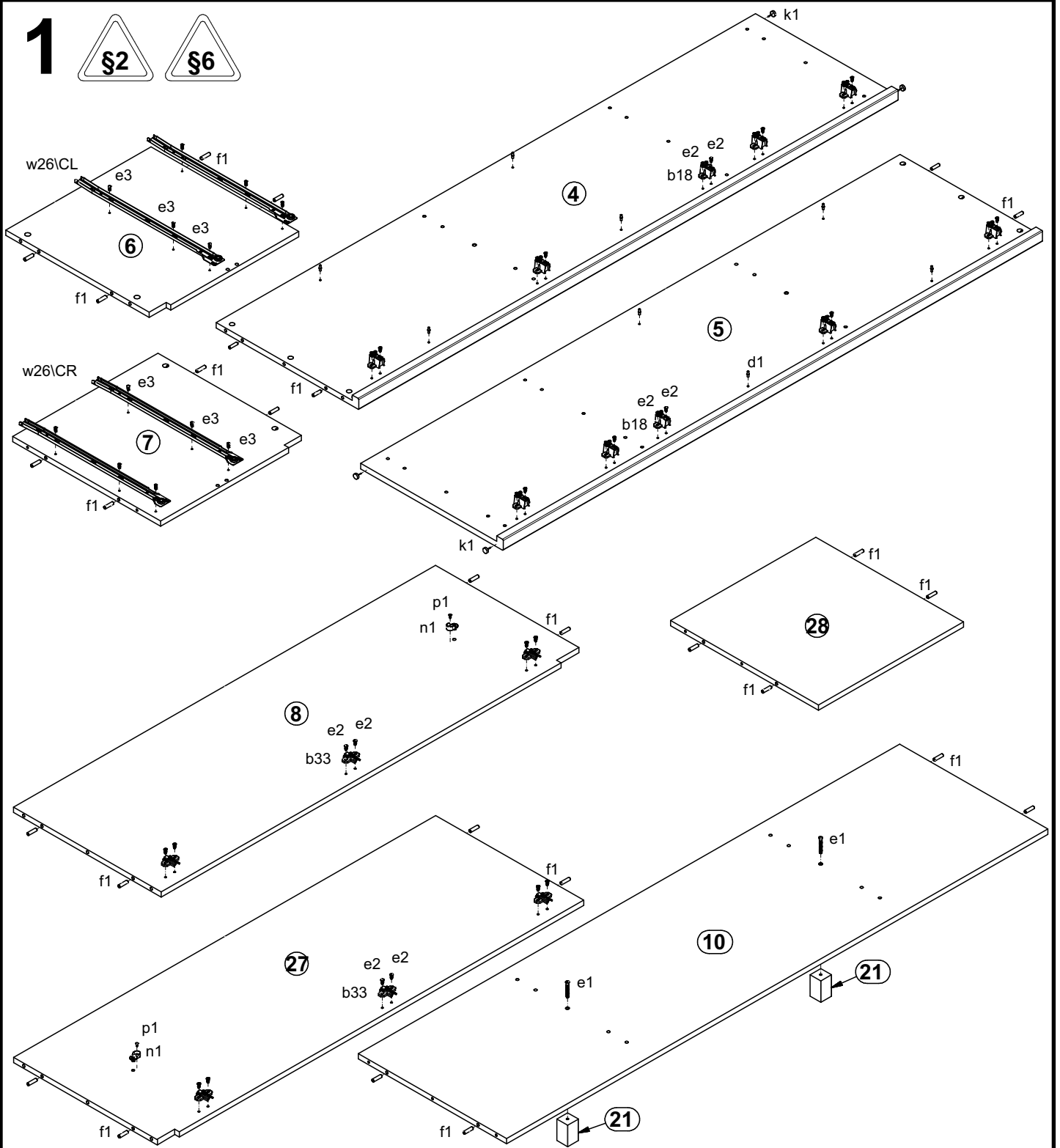
S128-SZF6D2S

A	B	C	D	A	B	C	D		
1	S128-0011	1468	482	5/6	15	S128-940	2037	484	1/6
2	S128-0012	1468	482	5/6	16	S128-9941	906	498	3/6
3	S128-0013A	1468	482	6/6	17	S128-914	2037	521	1/6
4	S128-170	2066	546	1/6	18	S128-0040	967	227	4/6
5	S128-161	2066	546	1/6	19	S83-011	482	482	4/6
6	S128-164	510	519	3/6	20	S83-012	482	482	4/6
7	S128-165	510	519	3/6	21	ZN1-501	65	38	3/6
8	S128-163	1482	519	2/6	22	BP-505	500	160	3/6
9	S128-230	2018	549	1/6	23	BP-506	500	160	3/6
10	S128-340	1981	520	2/6	24	ZP-5510	896	160	3/6
11	S128-341	1981	520	2/6	25	dr-948	948	30	2/6
12	S128-312	498	518	3/6	26	S128-041A	1468	482	6/6
13	S128-470	953	60	3/6	27	S128-162	1482	519	2/6
14	S128-471	1981	60	2/6	28	S128-342	498	518	2/6
					29	Lh-2007	2007	14	1/6

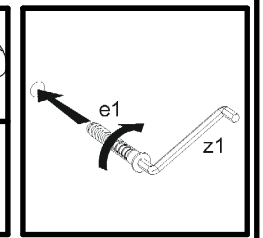
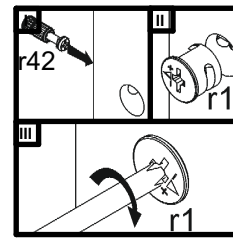
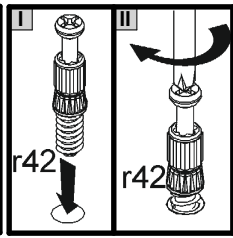
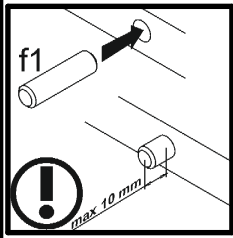
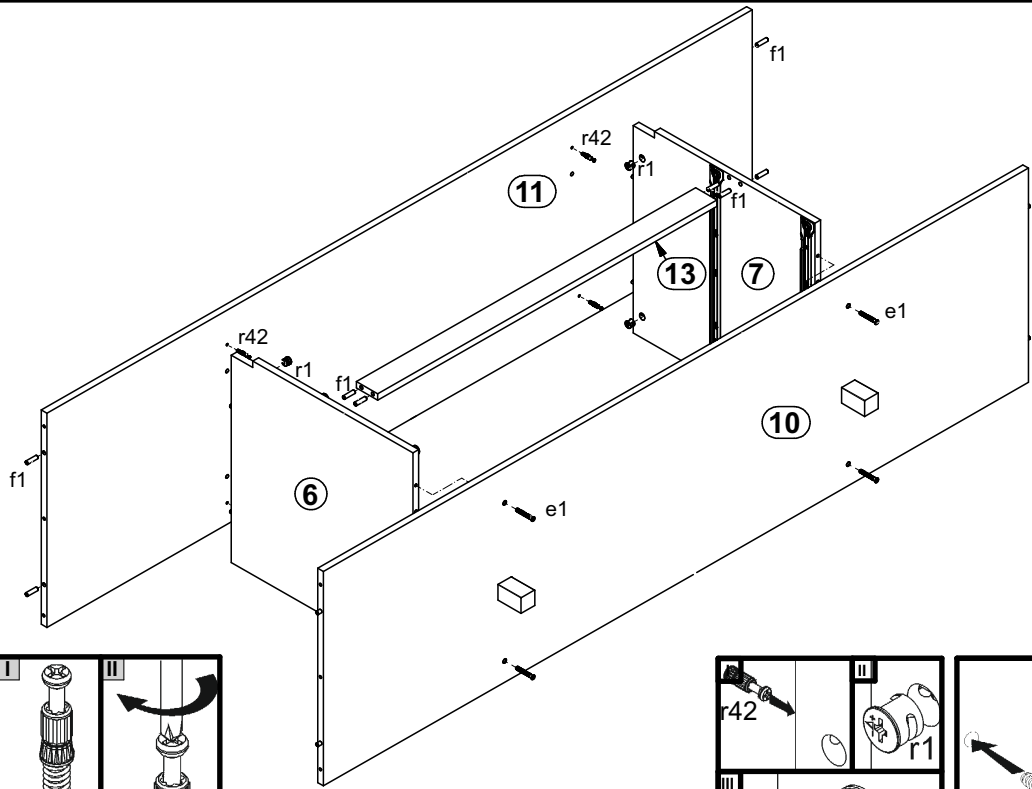


10x a43	6x a68	10x b18	6x b33	16x d1	18x e1	12x e19	32x e2	12x e3
48x f1	8x f25	4x k1	150 l1	2x n1	2x p1	32x p51	42x r1	42x r42
2x w26\CL	2x w26\CR	2x w26\DL	2x w26\DR	12x s1	24x s2	1x z1	1x n26\I	1x p38
2x t17	12x p1							

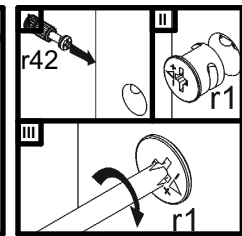
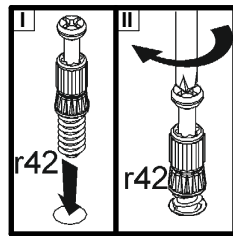
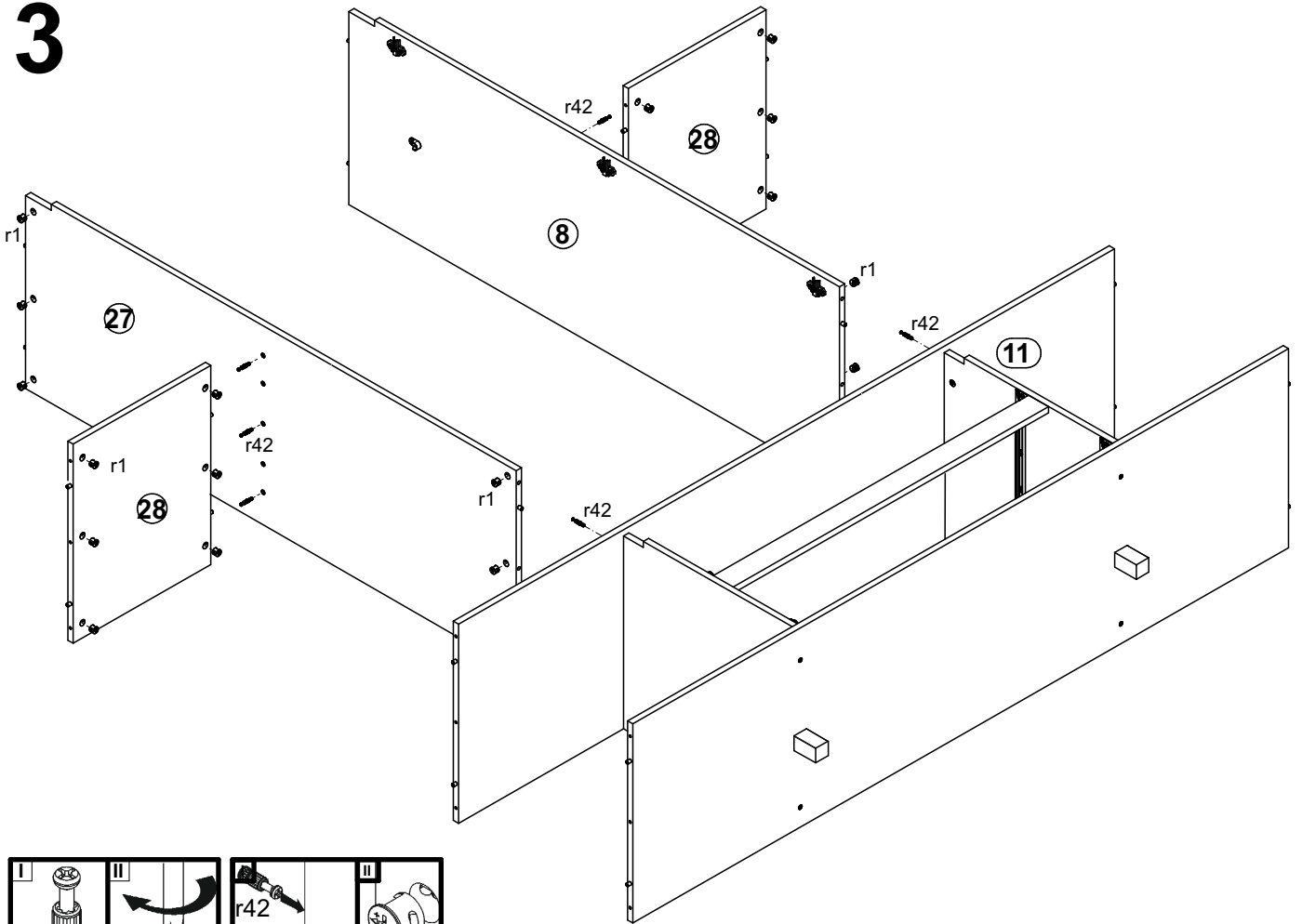
1



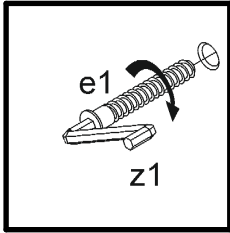
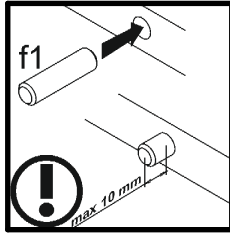
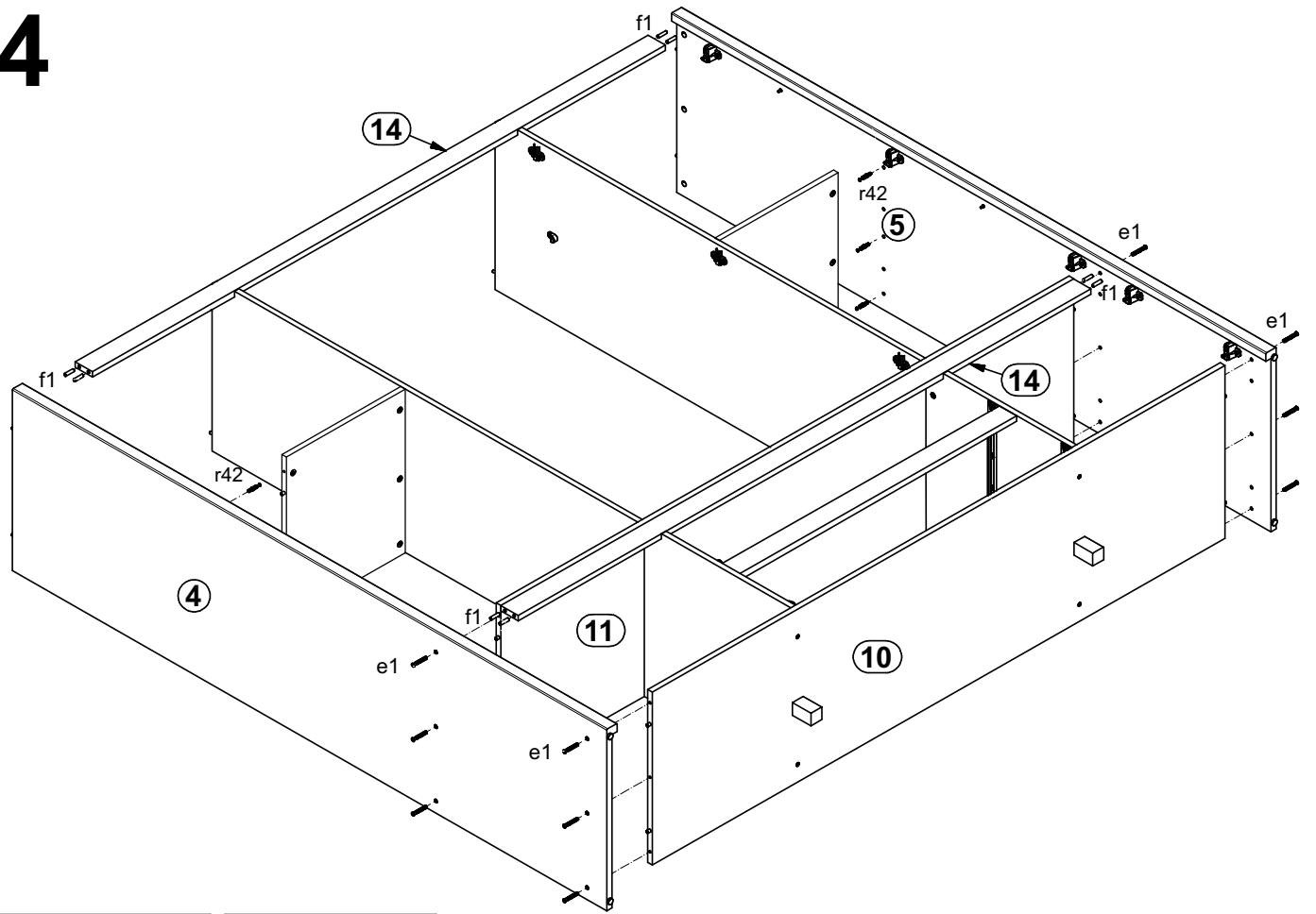
2



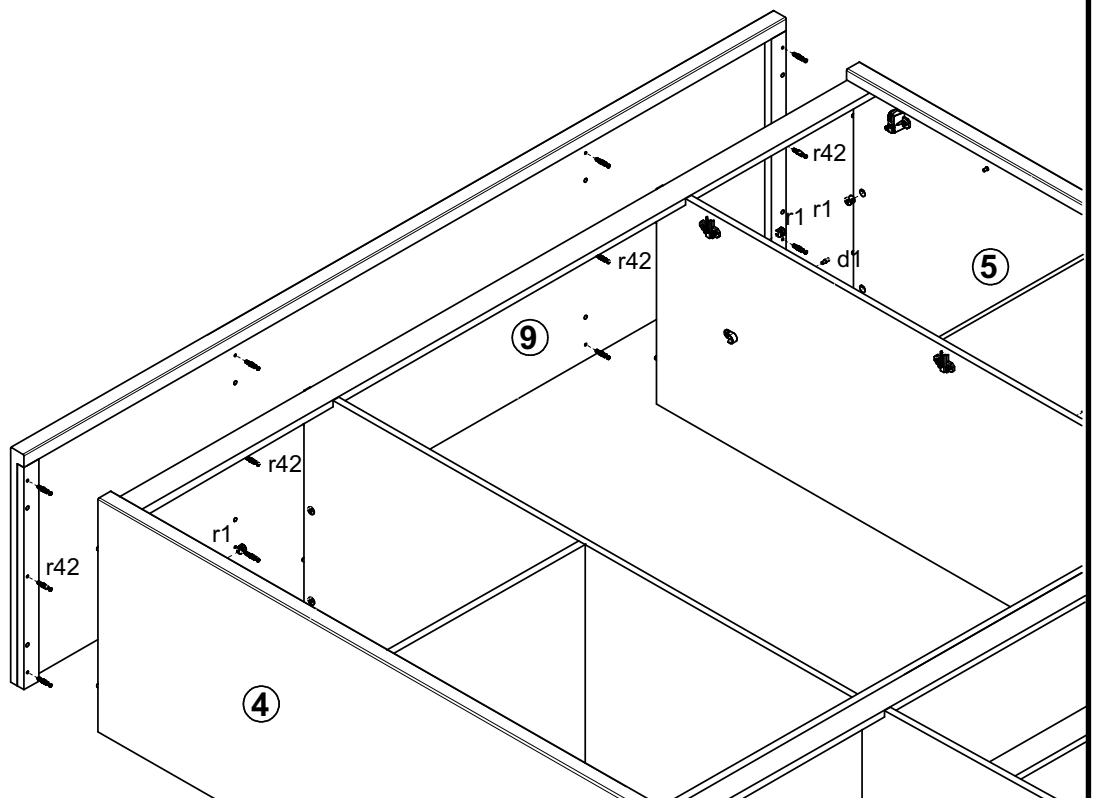
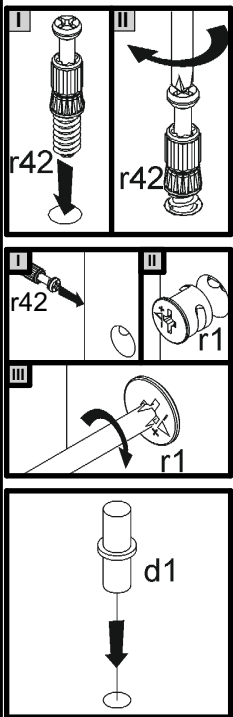
3



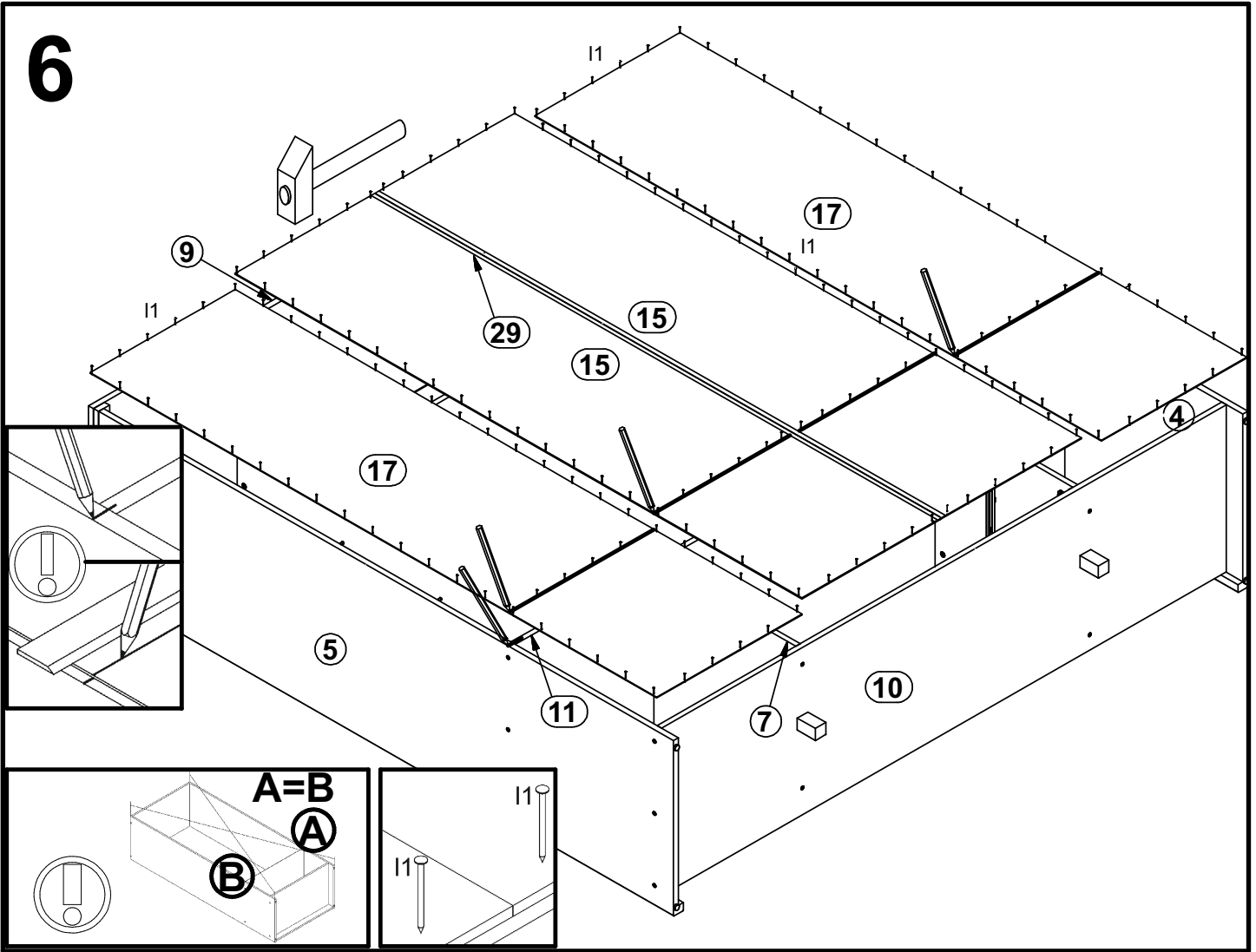
4



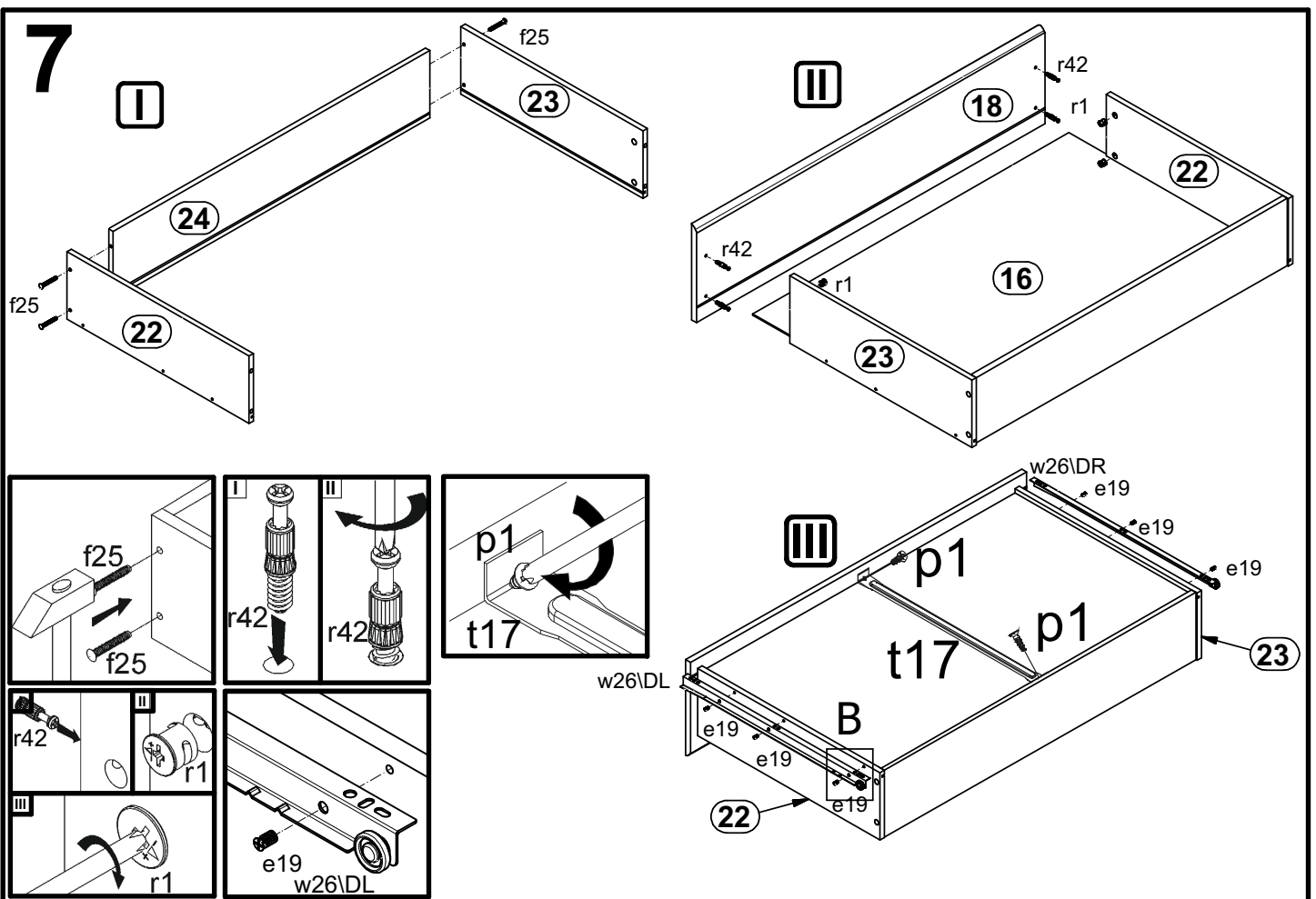
5



6



7



8

